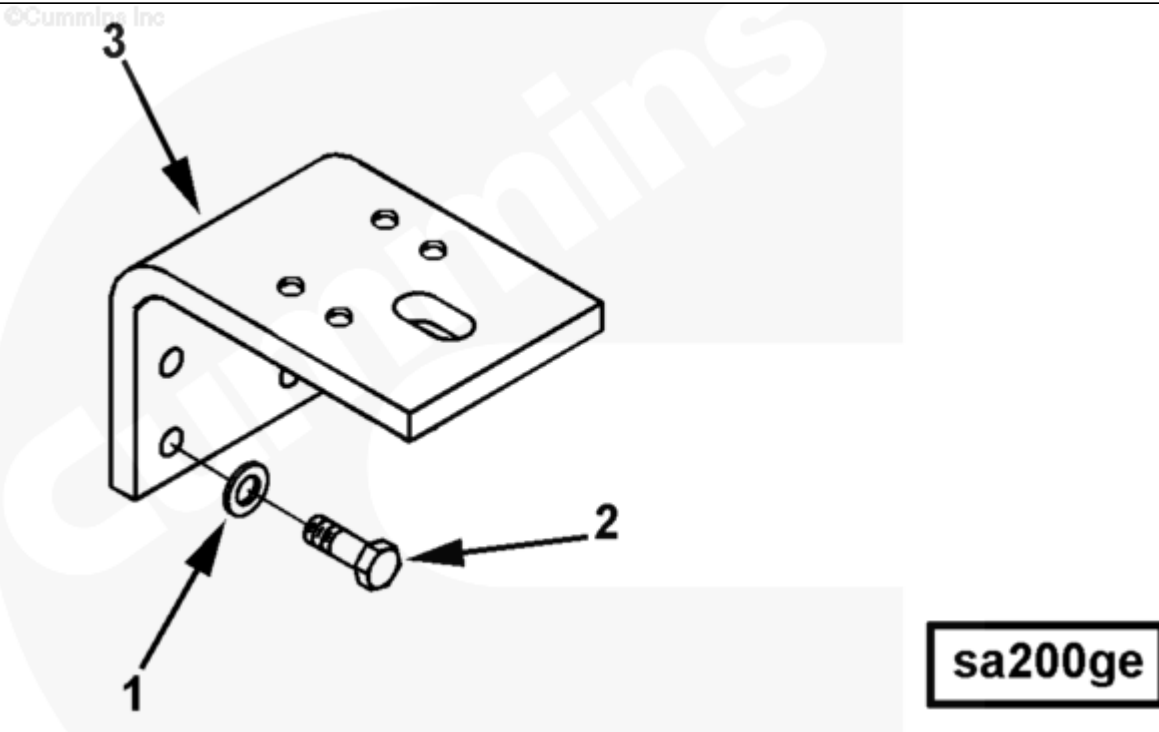




## Parts Catalog - Option Detail

Electronic Parts Catalog - Option Detail				
Option	Group	Graphic	Film Card	Date
SA2006-03	16.04	sa200ge	II	14-MAR-05
<b>Engines</b>	ISM CM570, ISM CM570/870, ISM CM875, ISM CM876, ISM CM876 E, ISM11 CM876 M103, ISM11 CM876 SN, M11 CELECT, M11 CELECT PLUS, M11 MECHANICAL, QSM11 CM570, QSM11 CM876			



SMALL | MEDIUM | LARGE

Cart	Ref No	Part Number	Part Description	Required	Remarks
<a href="#">View My Cart</a>					
		SA2006-03	Power Train Support		
					Power Train Support
					Marine Gear Manuf: ZF
					Industries
					Marine Gear Model: ZF311 A
					Mounting Center: 32"
					Isolator Pad Mounting
					Surface: 50mm Below Crank

					C/L
<input type="checkbox"/>	1	<a href="#">3018006</a>	Hexagon Head Cap Screw	8	M16 X 2.00 X 45.
<input type="checkbox"/>	2	<a href="#">3018007</a>	Plain Washer	8	M16
<input type="checkbox"/>	3	<a href="#">4078598</a>	Marine Gear Support	2	

© 2019 Cummins Inc., Box 3005, Columbus, IN 47202-3005 U.S.A.  
Terms of Use and Disclaimers | Recommended System Requirements  
Need Assistance? Please click on the Contact Us button in the top right corner of any page.